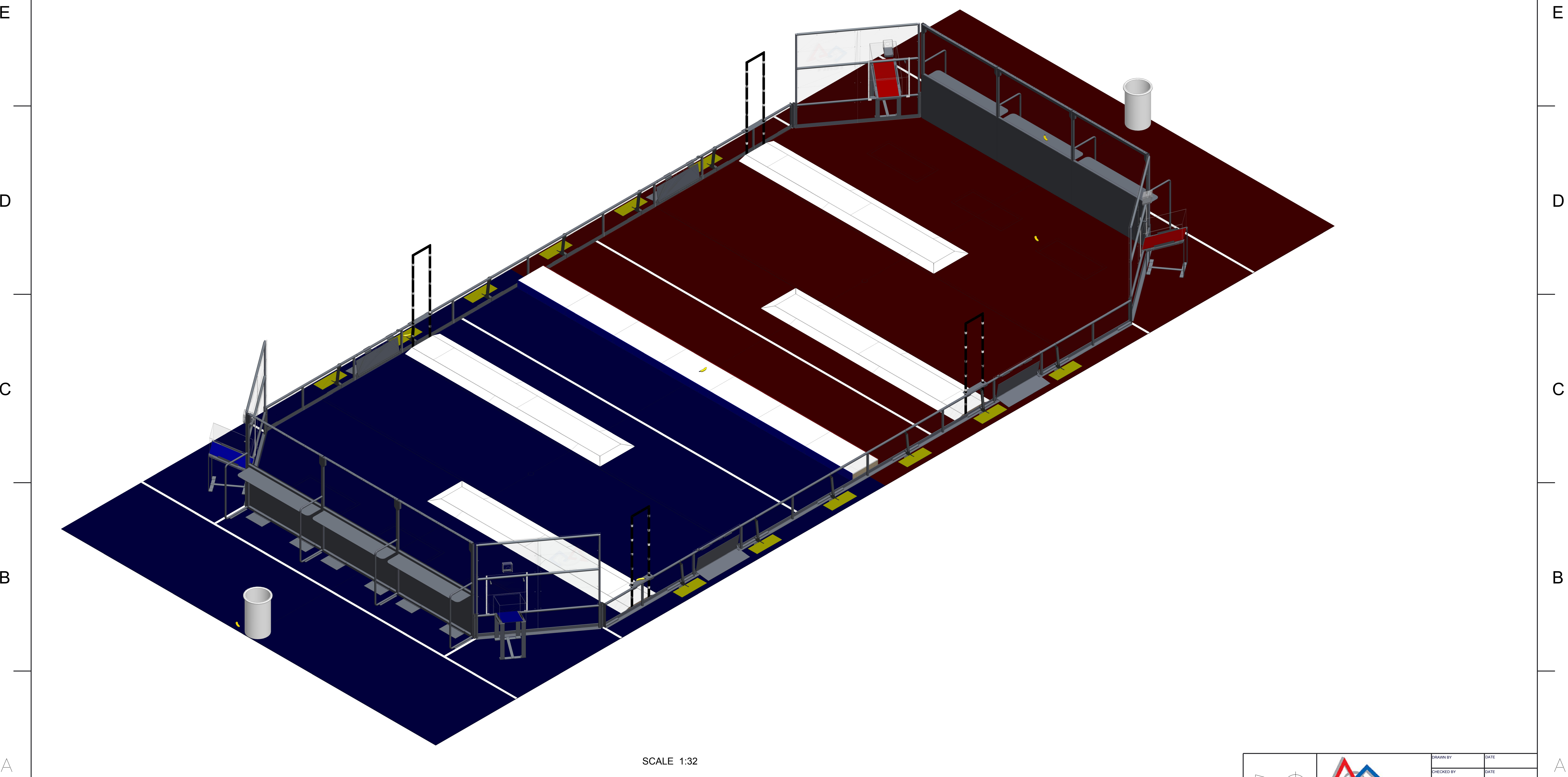


1 2 3 4 5 6 7 8

MODEL NAME: FE-00038 TITLE: 2015 FRC Field Assembly

REVISION HISTORY				
ZONE	REV	DESCRIPTION	APPROVED	DATE
B-4, Page 7	1	Added Tote Slide / Chute Plastic Notes	NJS	1/12/15



SCALE 1:32

	DRAWN BY	DATE
	CHECKED BY	DATE
	APPROVED BY	DATE
	<small>UNLESS OTHERWISE SPECIFIED ALL DIMENSIONS ARE IN INCHES. TOLERANCES ARE: XXX ± 0.1 XXXX ± 0.01 ANG ± 1</small>	
<small>THIS DOCUMENT IS SUPPLIED IN CONFIDENCE. NO REPRODUCTION OF THIS DOCUMENT IN PART OR IN WHOLE OR THE DISCLOSURE OF THE ITEMS SHOWN MAY BE MADE WITHOUT THE COPYRIGHT OWNER'S WRITTEN PERMISSION.</small>		SCALE 1:32 SHEET 1 OF 7
TITLE 2015 FRC Field Assembly		ISSUE
PROJECT	MODEL NAME	FE-00038
DO NOT SCALE		

1 2 3 4 5 6 7 8

1 2 3 4 5 6 7 8

MODEL NAME: FE-00038 TITLE: 2015 FRC Field Assembly

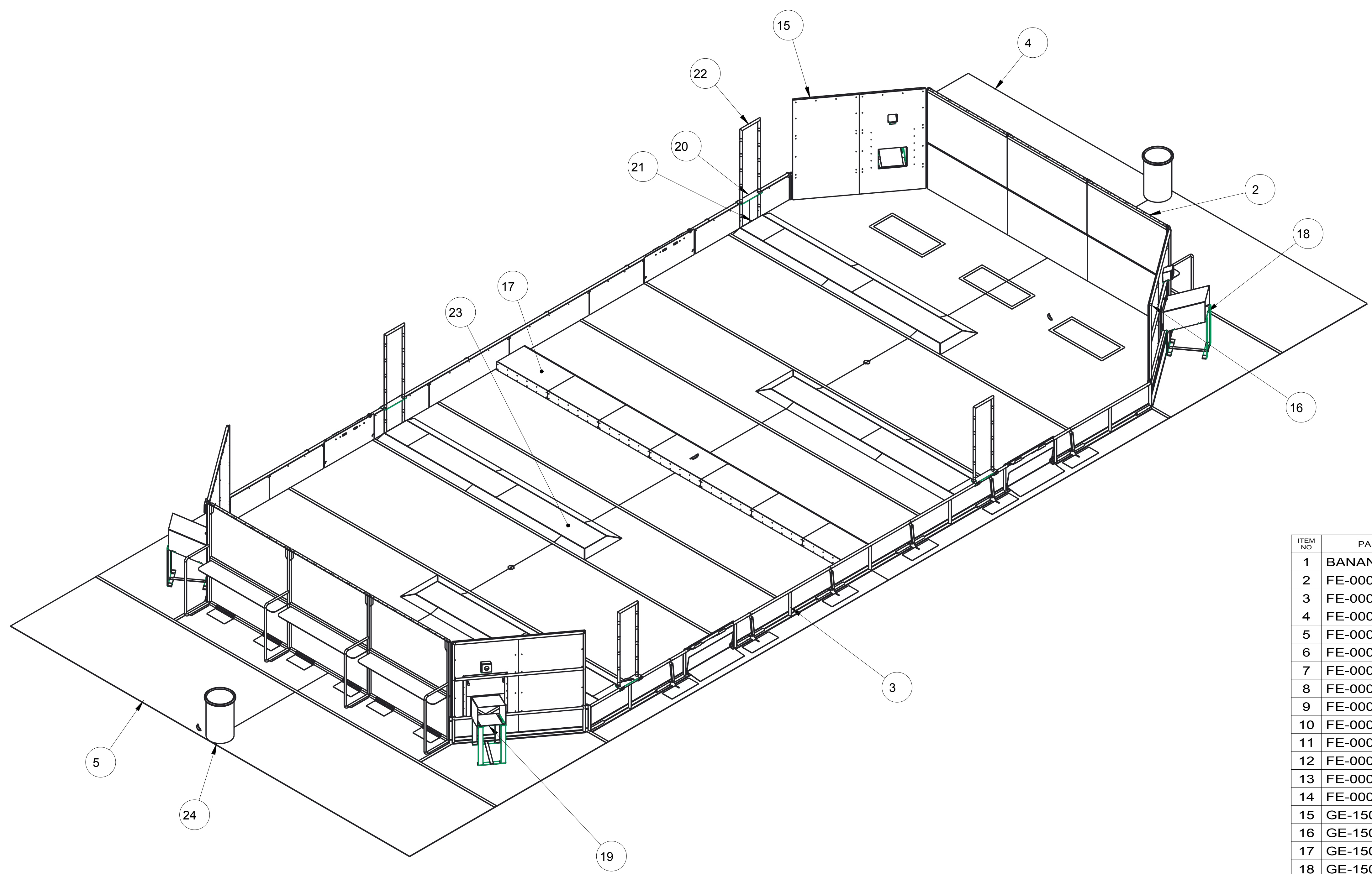
E E

D D

C C

B B

A A



ITEM NO	PART NUMBER	QTY	DESCRIPTION	NOTES
1	BANANA	6	Banana for Scale	
2	FE-00038-01	2	Driver's Station End Panel	
3	FE-00038-02	2	Guardrail	
4	FE-00038-03	2	2015 Carpet, Red	
5	FE-00038-04	2	2015 Carpet, Blue	
6	FE-00038-05	2	Landfill Line	See Sheet 5
7	FE-00038-06	2	Autozone Tape, Red	See Sheet 5
8	FE-00038-07	2	Autozone Tape, Blue	See Sheet 5
9	FE-00038-08	3	Staging Zone Tape, Red	See Sheet 5
10	FE-00038-09	3	Staging Zone Tape, Blue	See Sheet 5
11	FE-00038-10	2	Driver's Station Starting Line	See Sheet 5
12	FE-00038-11	4	Human Player Tape 1	See Sheet 5
13	FE-00038-12	4	Human Player Tape 2	See Sheet 5
14	FE-00038-13	2	Landmark Tape, Red, Blue	See Sheet 5
15	GE-15000	2	Angle Wall Assembly	
16	GE-15001	2	Angle Wall Assembly	
17	GE-15014	7	Step Assembly	
18	GE-15017	2	Chute Plastic, Red	
19	GE-15018	2	Chute Plastic, Blue	
20	GE-15021	4	Backstop Bracket	
21	GE-15022	4	Backstop Base	
22	GE-15023	4	Backstop	
23	GE-15025	4	Scoring Platform Assembly	
24	GE-15040	2	Litter Bin	

UNLESS OTHERWISE SPECIFIED ALL DIMENSIONS ARE IN INCHES.
TOLERANCES ARE:
XXX +/- 0.1
XXX +/- 0.01
XXX +/- 0.001
ANG +/- 1

DO NOT SCALE

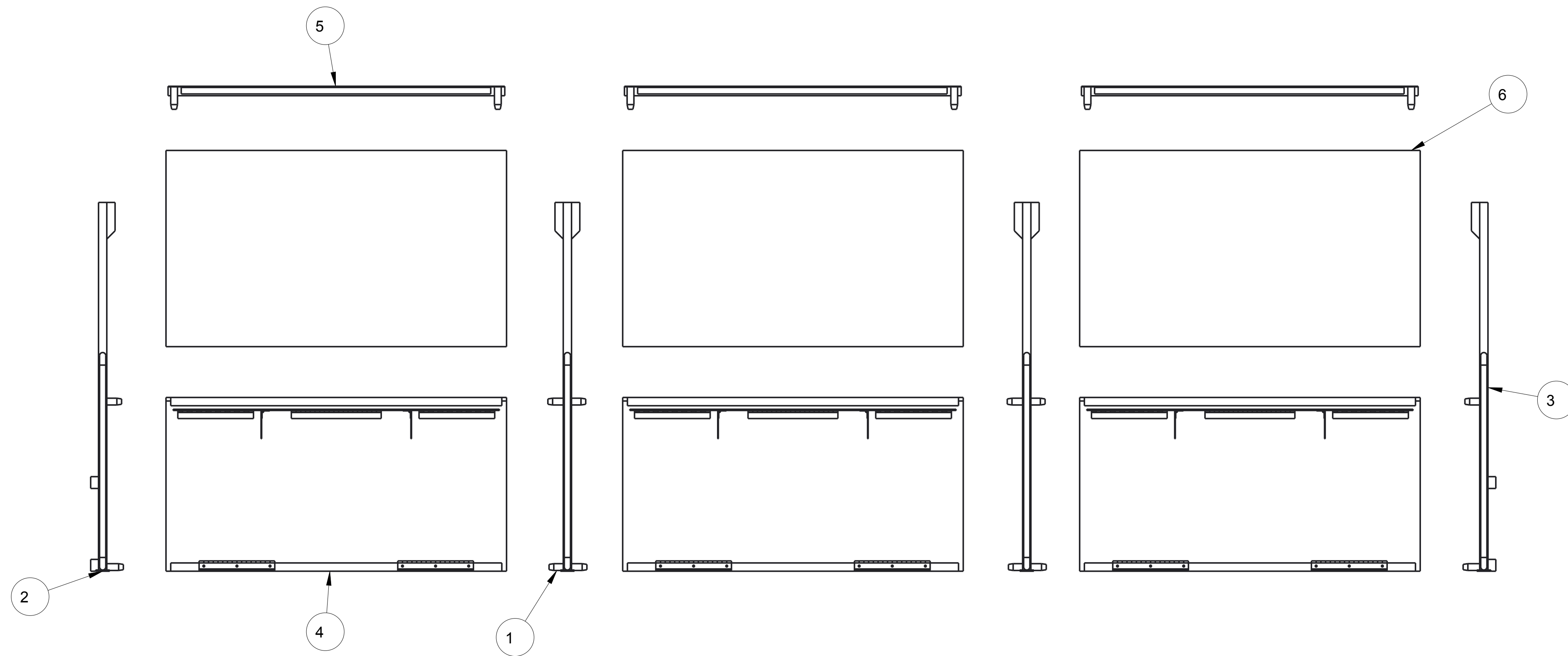
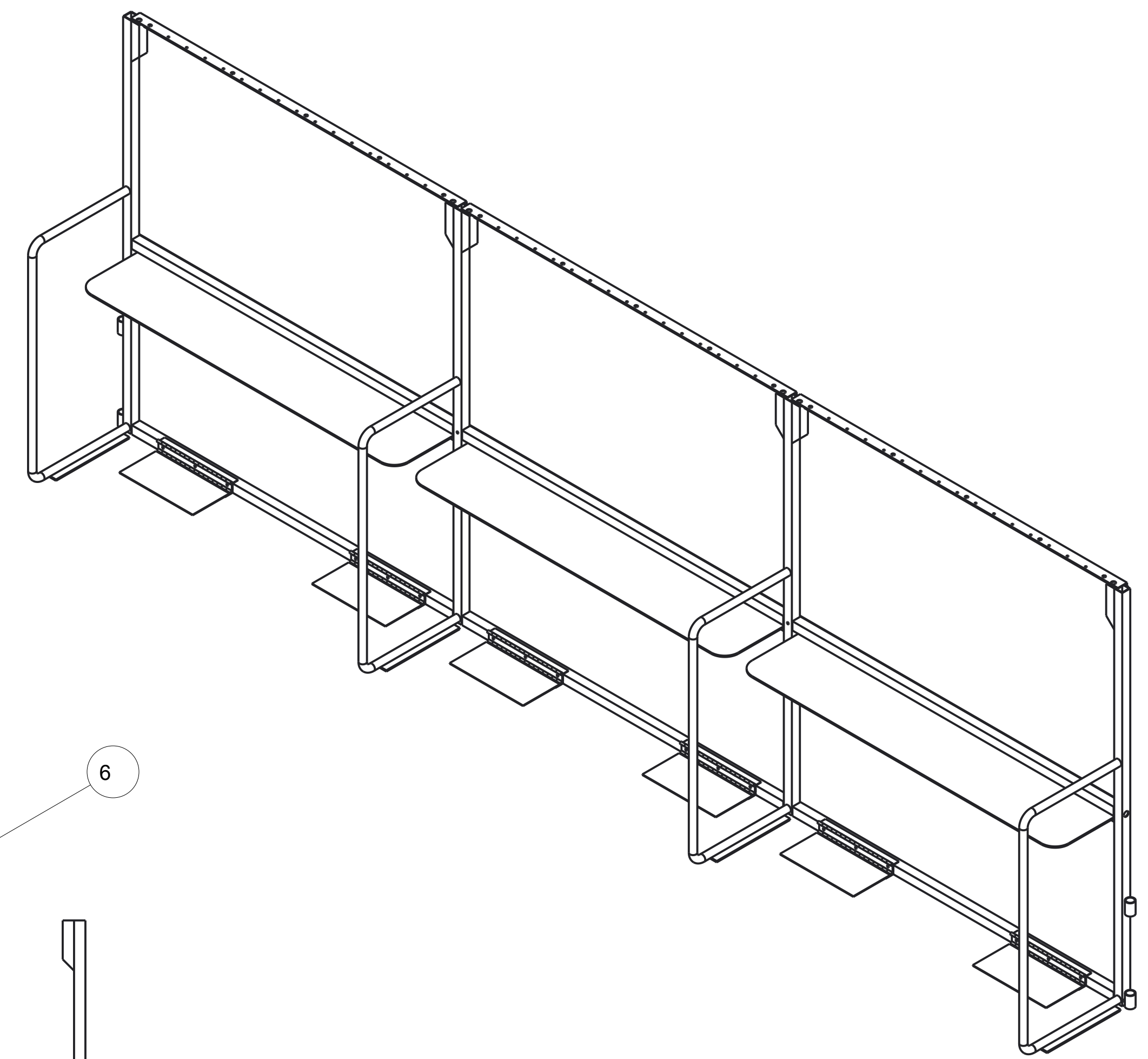
SCALE 1:32 SHEET 2 OF 7

TITLE: 2015 FRC Field Assembly

PROJECT: MODEL NAME: FE-00038 ISSUE:

DRAWN BY	DATE
CHECKED BY	DATE
APPROVED BY	DATE

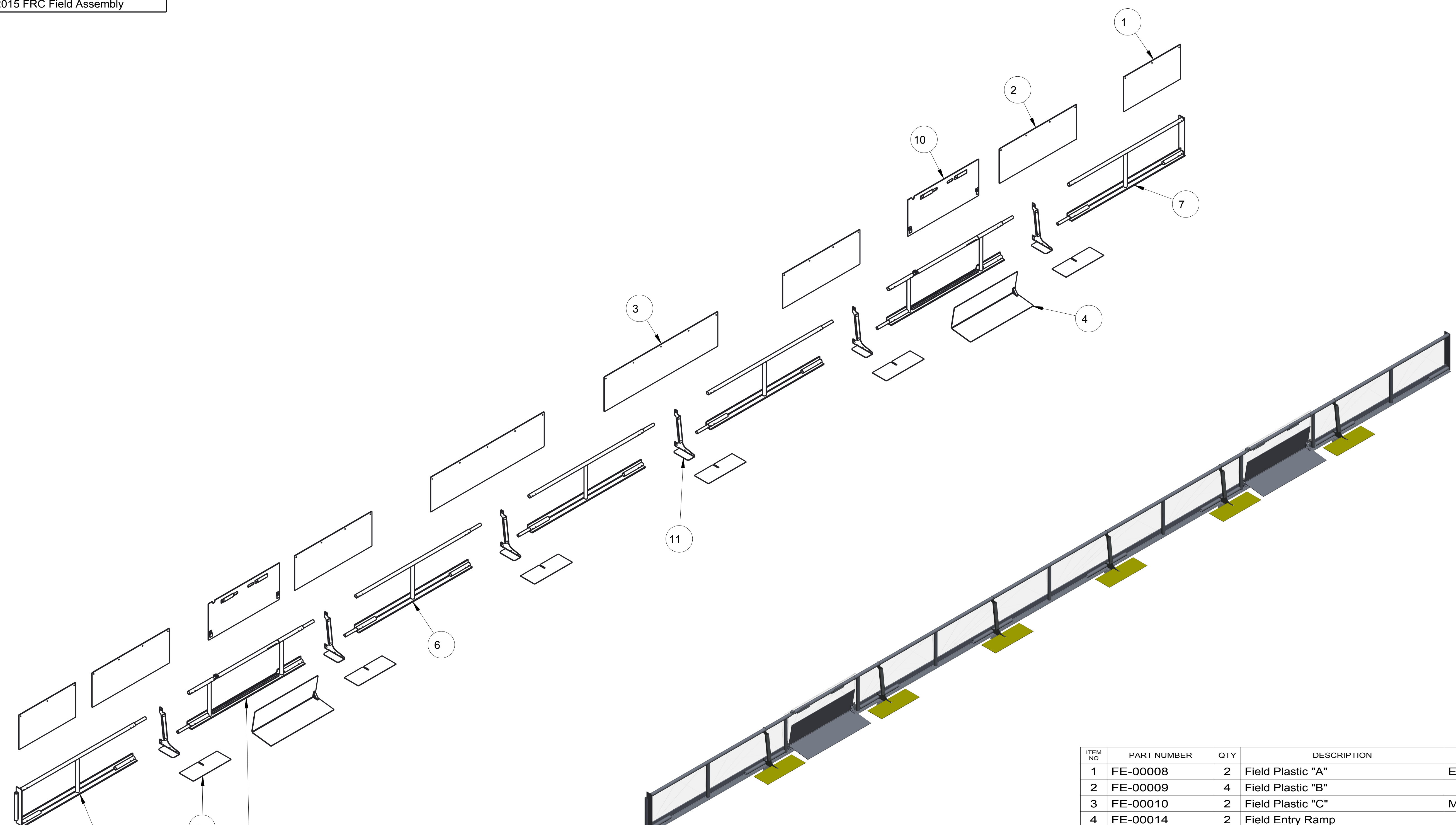
1 2 3 4 5 6 7 8



ITEM NO	PART NUMBER	QTY	DESCRIPTION	NOTES
1	FE-00001	2	Drivers Station Support	
2	FE-00002-L	1	Corner Support Assembly (Left)	
3	FE-00002-R	1	Corner Support Assembly (Right)	
4	FE-00004	3	End Panel	
5	FE-00007	3	Field Top Rail	
6	FE-00012	3	Drivers Station Acrylic	

Sub-assembly FE-00038-01 - Driver's Station End Panel
 Typical Both Ends of Field

<p>UNLESS OTHERWISE SPECIFIED ALL DIMENSIONS ARE IN INCHES. XXX +/- 0.1 XXXX +/- 0.01 XXXX +/- 0.001 ANG +/- 1 DO NOT SCALE</p>	DRAWN BY: _____ DATE: _____ CHECKED BY: _____ DATE: _____ APPROVED BY: _____ DATE: _____
	TITLE: 2015 FRC Field Assembly PROJECT: _____ MODEL NAME: FE-00038 SCALE: 1:32 SHEET 3 OF 7
	ISSUE: _____
	THIS DOCUMENT IS SUPPLIED IN CONFIDENCE. NO REPRODUCTION OF THIS DOCUMENT IN PART OR IN WHOLE OR THE DISCLOSURE OF THE ITEMS SHOWN MAY BE MADE WITHOUT THE COPYRIGHT OWNER'S WRITTEN PERMISSION.



ITEM NO	PART NUMBER	QTY	DESCRIPTION	NOTES
1	FE-00008	2	Field Plastic "A"	End Plastic
2	FE-00009	4	Field Plastic "B"	
3	FE-00010	2	Field Plastic "C"	Middle Plastic
4	FE-00014	2	Field Entry Ramp	
5	FE-00015	6	Trip Guard	
6	FE-00022	3	Field Rail Asseby- Mid	
7	FE-00023	1	Field Rail Assembly - Left	
8	FE-00024	1	Field Rail Assembly - Right	
9	FE-00029	2	Field Gate Assembly	
10	FE-00047	2	Plastic "G"	Gate Plastic
11	FE-00050	6	Outrigger	

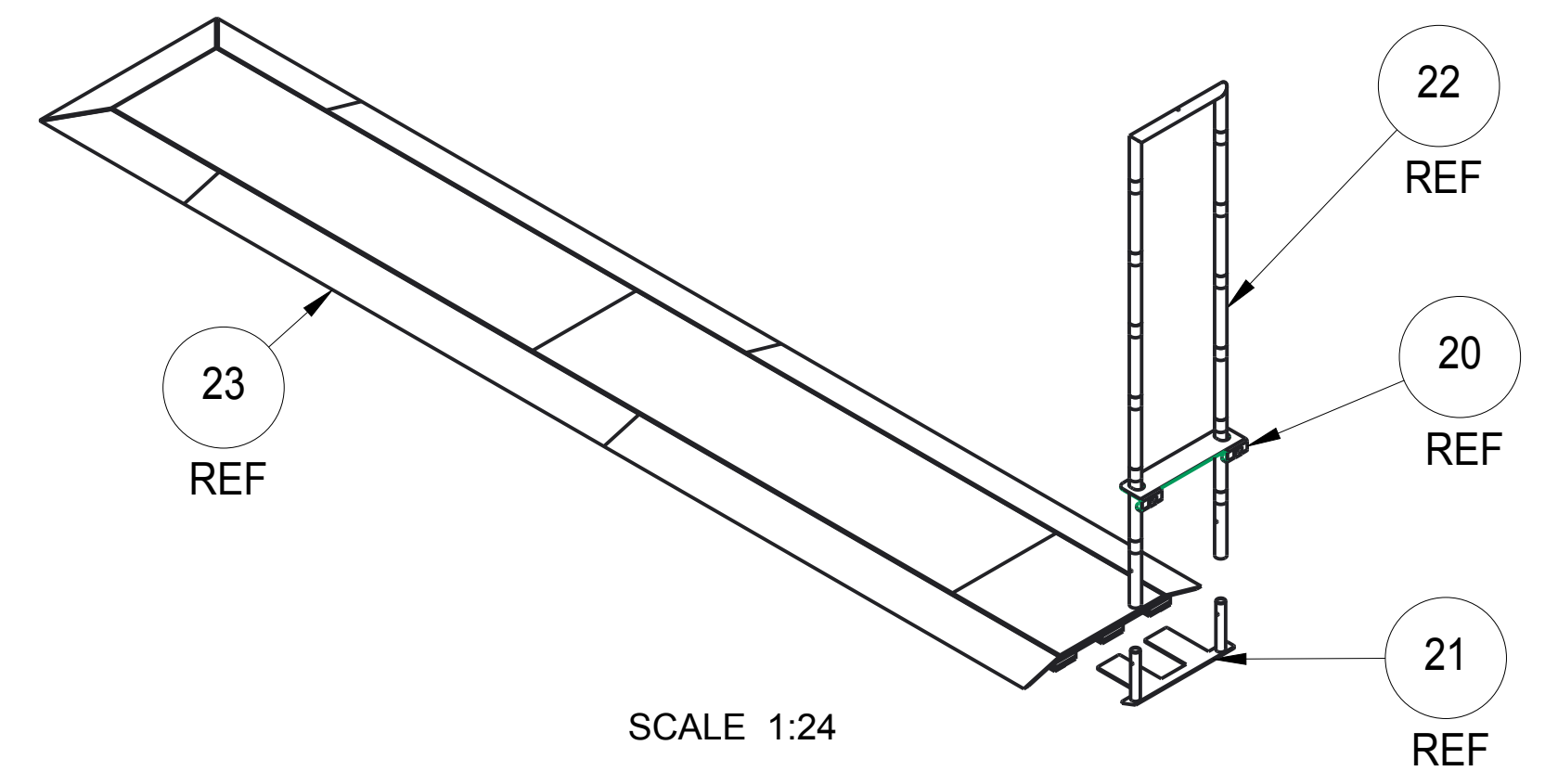
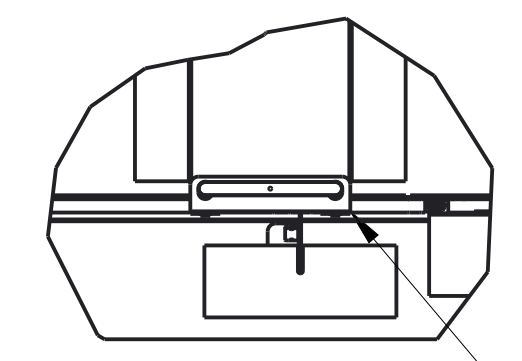
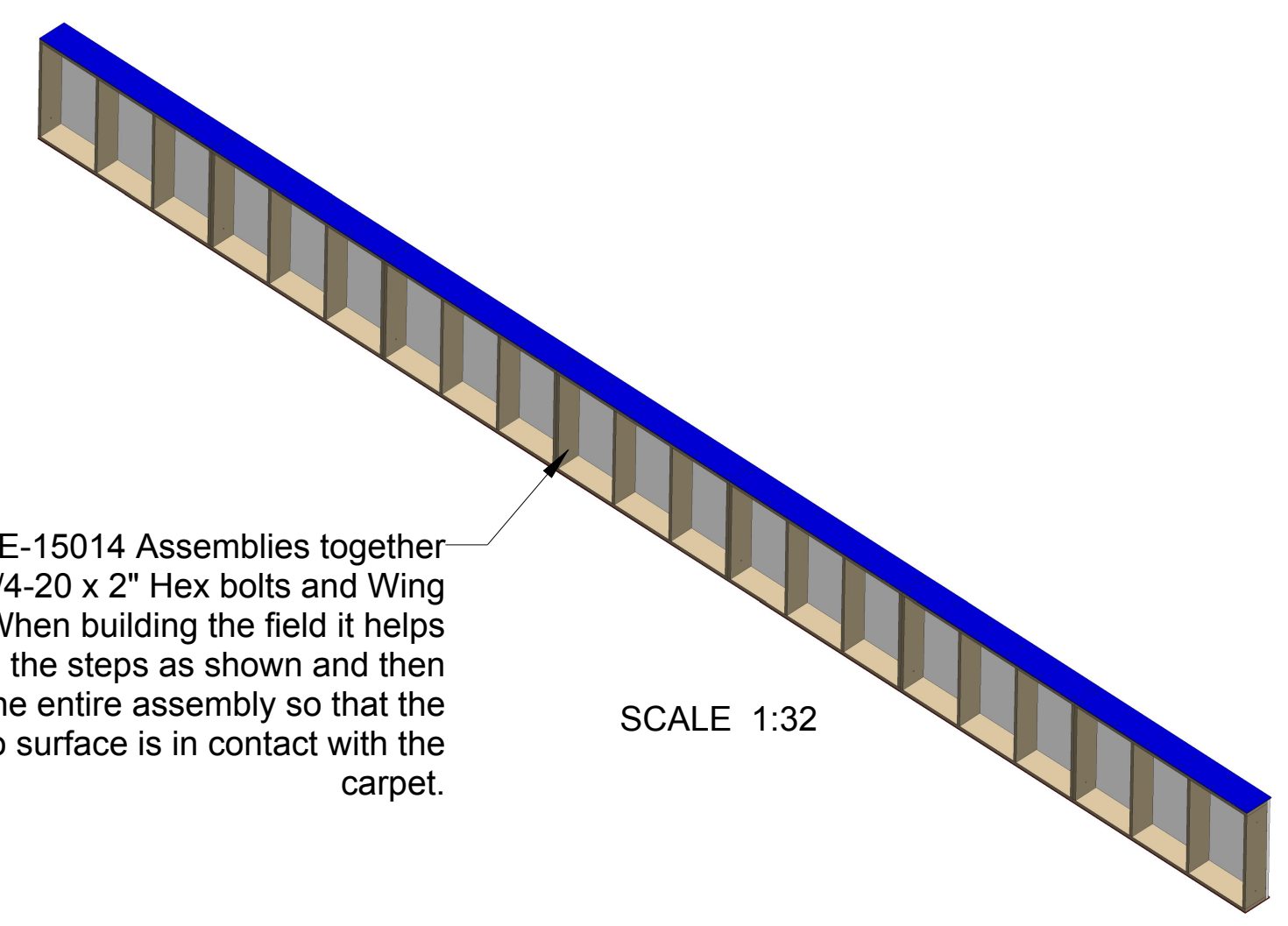
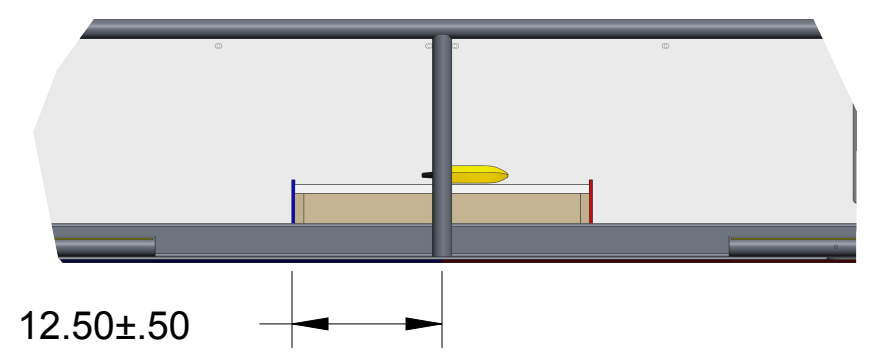
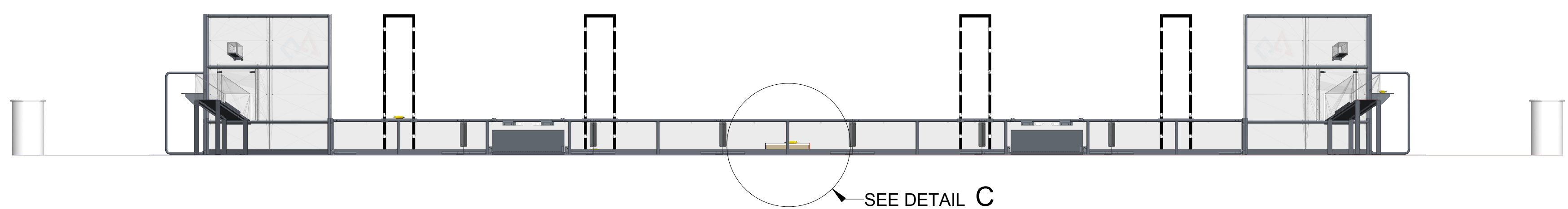
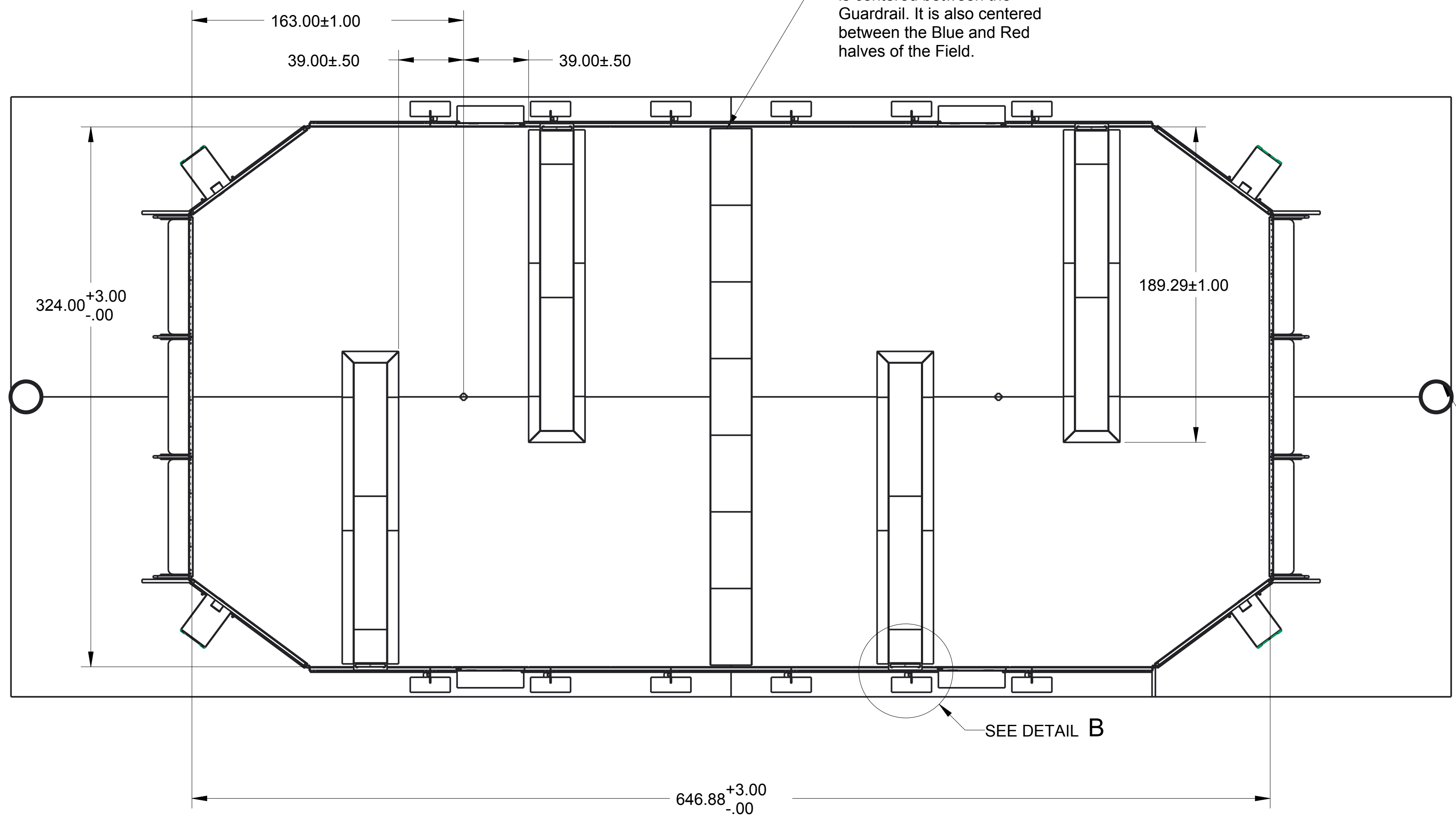
Sub-assembly FE-00038-02 - Guardrail
Typical Both Sides of Field

	DRAWN BY	DATE
	CHECKED BY	DATE
	APPROVED BY	DATE
	SCALE 1:32 SHEET 4 OF 7	
TITLE: 2015 FRC Field Assembly		
PROJECT	MODEL NAME	ISSUE
	FE-00038	

UNLESS OTHERWISE SPECIFIED ALL DIMENSIONS ARE IN INCHES.
TOLERANCES ARE:
XXX +/- 0.1
XXX +/- 0.01
XXX +/- 0.001
ANG +/- 1
DO NOT SCALE

Dimensions for Staging Zone (see sheet 6) and Scoring Platforms are based off of their relationship to the center of the Landmark Tape.

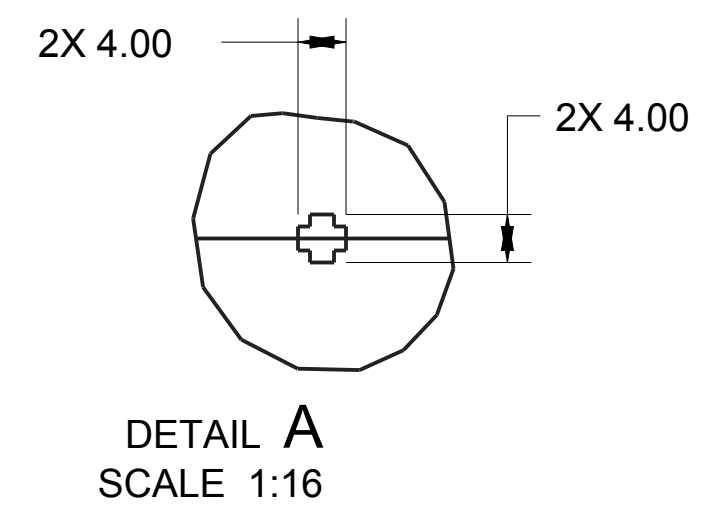
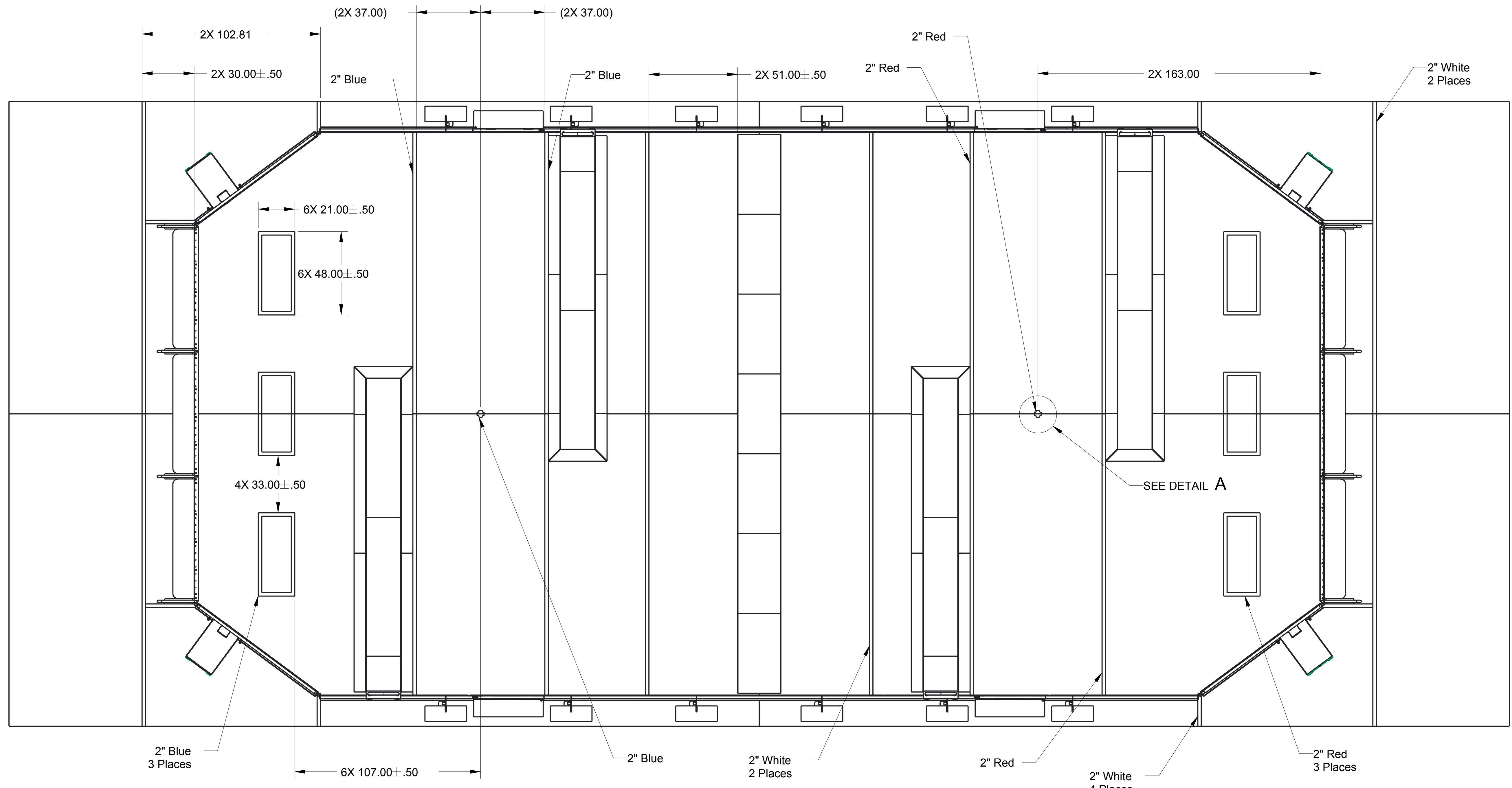
The Step bisects the field and is centered between the Guardrail. It is also centered between the Blue and Red halves of the Field.



GE-15040 to be centered on the carpet seam and tangent to the back of each Alliance Station Carpet

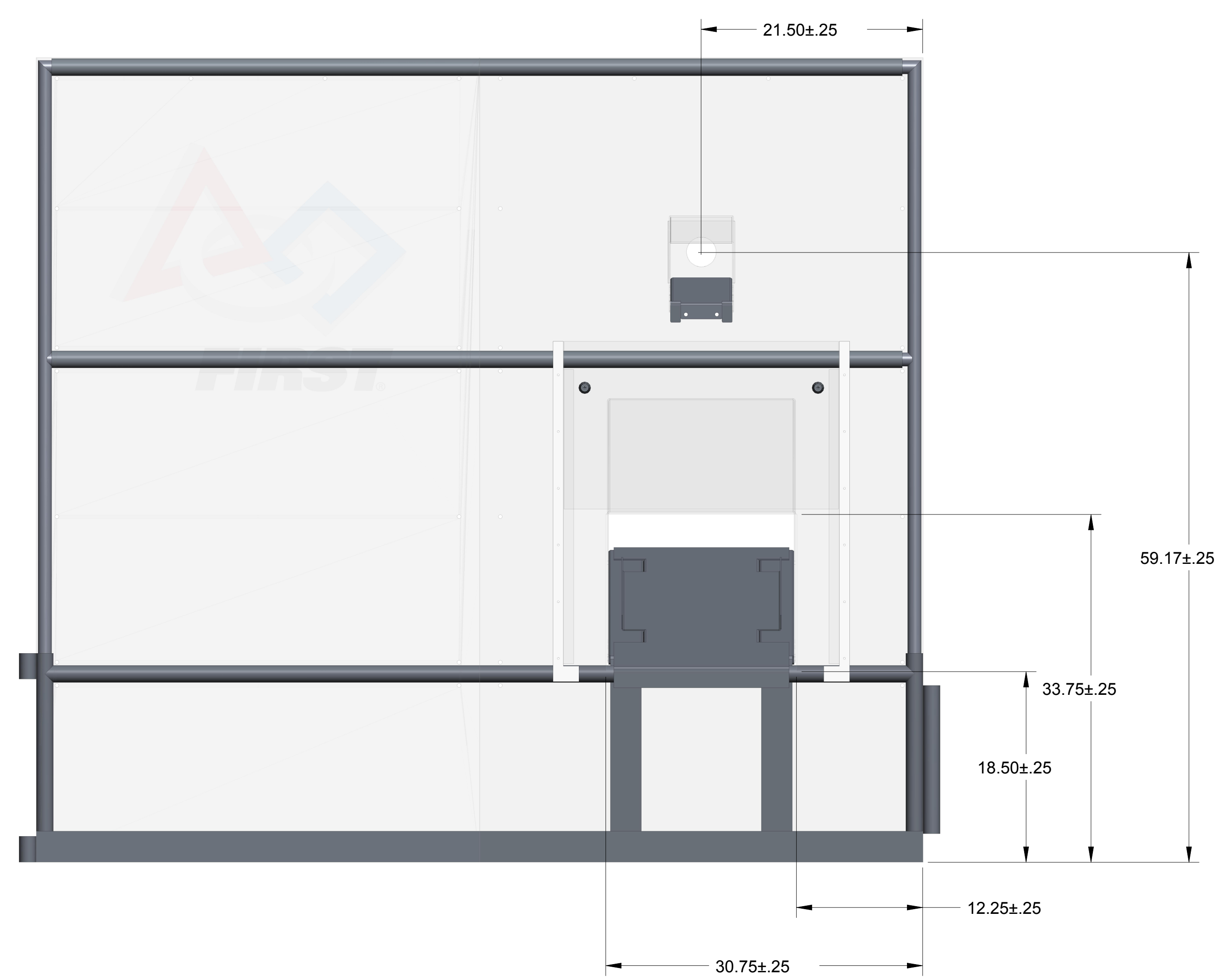
	DRAWN BY	DATE
	CHECKED BY	DATE
	APPROVED BY	DATE
<small>UNLESS OTHERWISE SPECIFIED ALL DIMENSIONS ARE IN INCHES. TOLERANCES ARE: X.XX ± 0.1 X.XXX ± 0.01 X.XXX ± 0.001 ANG ± .1</small>		<small>THIS DOCUMENT IS SUPPLIED IN CONFIDENCE. NO REPRODUCTION OF THIS DOCUMENT IN PART OR IN WHOLE OR IN THE FORM OF THE ITEMS SHOWN MAY BE MADE WITHOUT THE COPYRIGHT OWNERS WRITTEN PERMISSION.</small>
TITLE 2015 FRC Field Assembly		SCALE 1:48 SHEET 5 OF 7
PROJECT 2015 FRC Field Assembly	MODEL NAME FE-00038	ISSUE

DO NOT SCALE



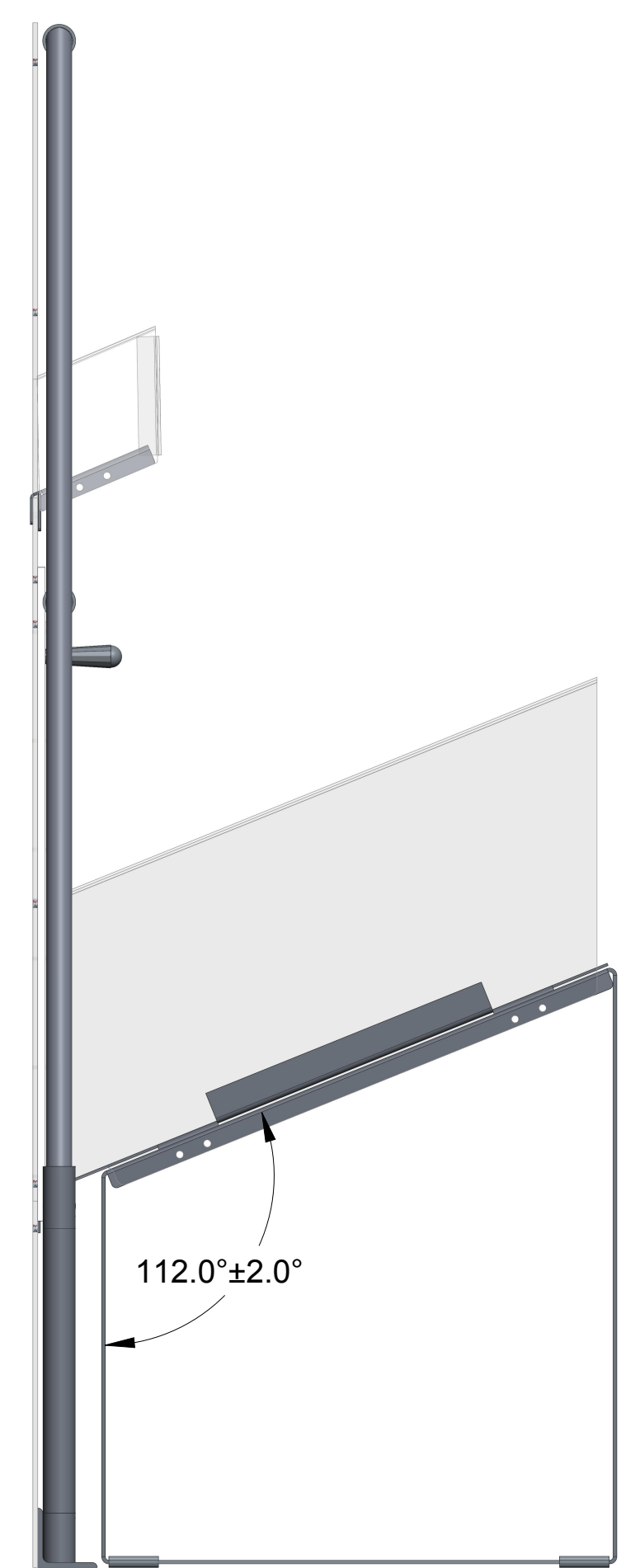
	DRAWN BY	DATE
	CHECKED BY	DATE
	APPROVED BY	DATE
<small>UNLESS OTHERWISE SPECIFIED ALL DIMENSIONS ARE IN INCHES. TOLERANCES ARE: X.XX ± 0.1 X.XXX ± 0.01 X.XXX ± 0.001 ANG ± 1</small>		SCALE 1:32 SHEET 6 OF 7
TITLE: 2015 FRC Field Assembly		MODEL NAME: FE-00038
PROJECT:		ISSUE:

DO NOT SCALE

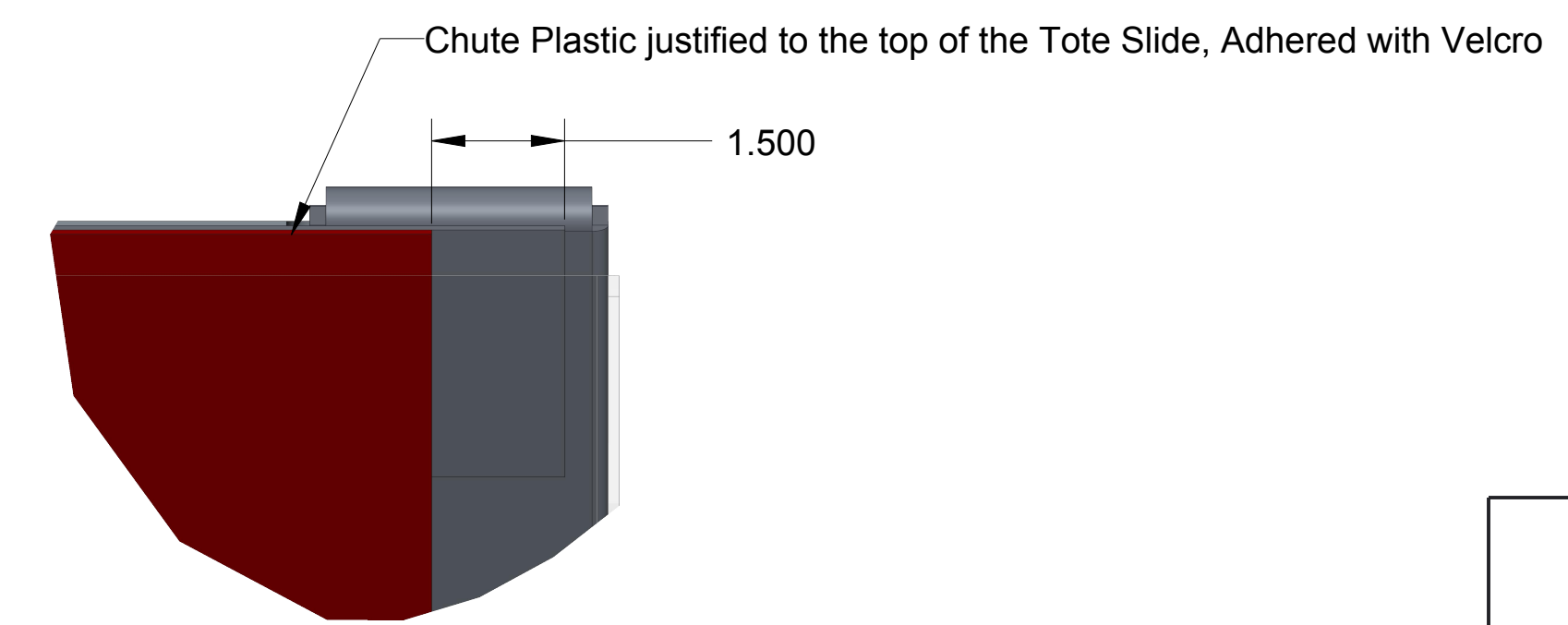


Front View
SCALE 1:8

Note:
All Tolerances shown typical for all
GE-15000 and GE-15001 Assemblies.



SCALE 1:8



DETAIL D
SCALE 1:2

UNLESS OTHERWISE SPECIFIED ALL DIMENSIONS ARE IN INCHES. X.XX ± 0.01 X.XXX ± 0.001 ANG ± 1 DO NOT SCALE		DRAWN BY	DATE
		CHECKED BY	DATE
		APPROVED BY	DATE
		SCALE 1:32 SHEET 7 OF 7	
TITLE		2015 FRC Field Assembly	
PROJECT		MODEL NAME	ISSUE
		FE-00038	